



HOOK

Materials:
Powder coated metal, bakelite lamp holder.

Colour options:
Black

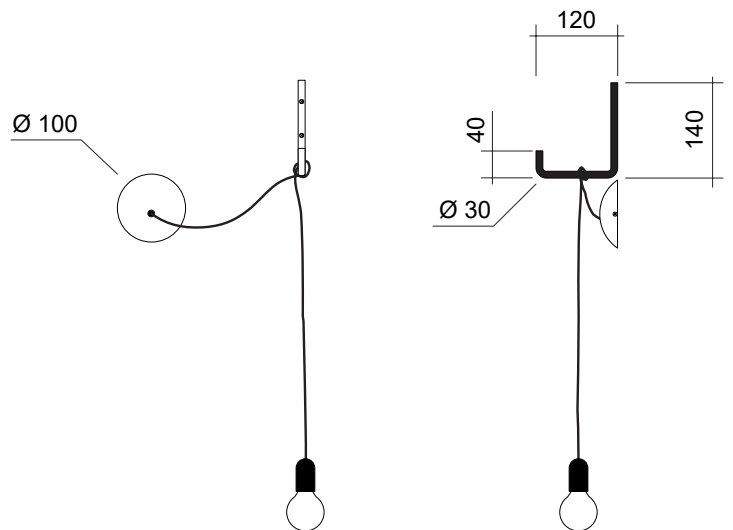
Bulb specification:
E27 screw base light bulbs.
Max 60W. Lightbulb not included.

230V IP20

Sizes in mm.

Please note:

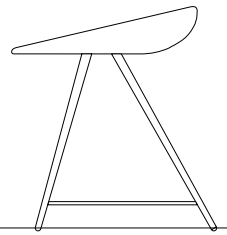
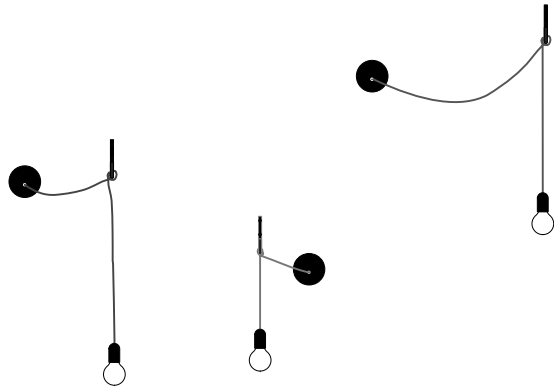
Mirrored bulbs reflect a lot of heat back to the lamp holder. Depending on the space around the lamp holder, the heat might build up above the recommended temperature, especially if the heat is trapped when moving upwards. For this reason, the max. wattage indicated does not apply to mirrored bulbs, but to non mirrored bulbs only. If mirrored bulbs are desired, only those with a low wattage (such as LEDs) should be used. The max. wattage for mirrored bulbs is 5 watt LED (equivalent of 40 watt traditional bulb).



ARETI

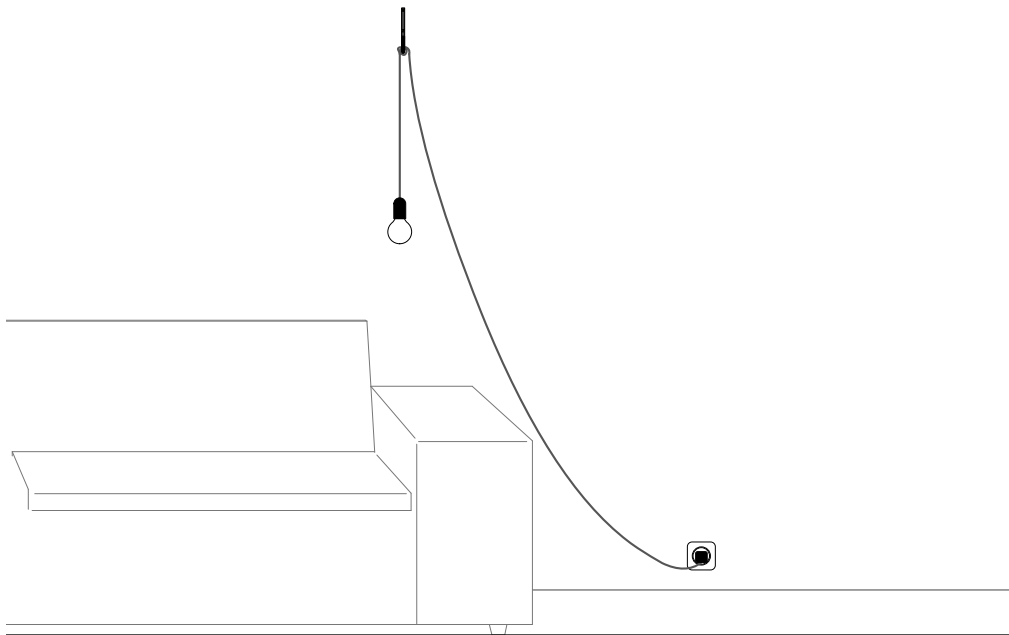
www.atelierareti.com contact@atelierareti.com

Our collections are hand made and made to order, small irregularities in shape or surface will occur, they are inherent to the hand made process and should not be seen as flaws. Variations in colour and size are available for some collections, please contact Areti for more details.



Option 01

Hook and wall cover



Option 02

Hook and plug

ARETI

www.atelierareti.com contact@atelierareti.com

Our collections are hand made and made to order, small irregularities in shape or surface will occur, they are inherent to the hand made process and should not be seen as flaws. Variations in colour and size are available for some collections, please contact Areti for more details.