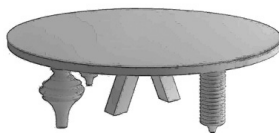


# TECHNICAL SPECIFICATIONS

## Showtime low table Showtime low table 10

JAIME HAYON  
2006



### COMPONENTS and MATERIALS:

TABLE TOP in MDF lacquered or veneered on varnished walnut.  
GLASS TABLE TOP is 8mm thick painted in various colours.  
MARBLE TABLE TOP in Patrizia green, Carrara Venato or Marquina black.  
LEGS are made in solid lacquered or stained wood to match with the table top.

### FINISHES:

MDF table top matt or gloss lacquered on white LAC04 (RAL 9003), red LAC07 (RAL 3001), blue LAC09 (RAL 5002) and black LAC10 (RAL 9005).  
MDF table top veneered on varnished walnut (NG) or natural walnut effect (NGEN).  
GLASS table top painted in white LAC04 (RAL 9003), red LAC07 (RAL 3001), blue LAC09 (RAL 5002) and black LAC10 (RAL 9005).

### DIMENSIONS and WEIGHTS:

Madera Vidrio Mármol

Round table: Ø80 x 35 cm	11 kg / 21kg / 37kg
Round table: Ø120 x 35 cm	25 kg / 47kg / 85kg
Rectangular table: 160 x 100 x 35 cm	35kg / 66kg / 120kg
Rectangular table: 150 x 50 x 35 cm	16 k / 30kg / 54kg

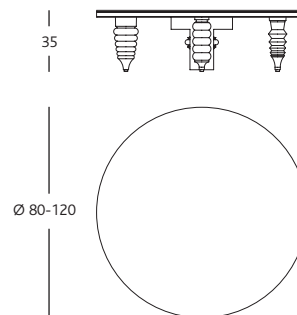
### PACKAGING:

The wooden base and the glass top are packaged in a wooden box protected with a layer of sponge wrap and bubble wrap. An addition of four centimeters of sponge wrap is also added for extra protection. The legs are protected with sponge wrap and packaged separately in a cardboard box.

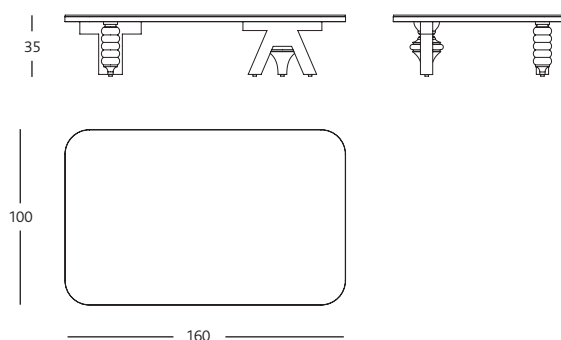
### CLEANING and MAINTENANCE:

This piece should be cleaned with a humid cloth using a PH neutral soap. It is recommended that an ecological cloth be used. Do not use cleaning detergents such as alcohol, solvents and or products containing such materials.

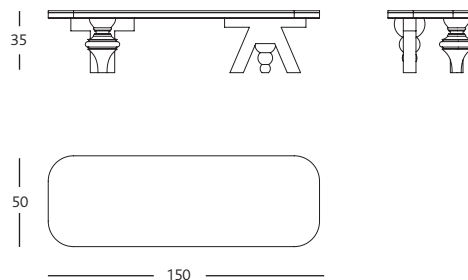
### Round



### Rectangular 160



### Rectangular 150



MEASUREMENTS IN CM



**BD Barcelona Design**  
Ramon Turró, 126 / 08005 Barcelona  
Tel +34 93 458 69 09 / Fax +34 93 207 36 97  
bd@bdbarcelona.com / www.bdbarcelona.com

**Technical Department**  
Carretera Capellades / km 22,750  
Narcís Monturiol, 7 / Pol. Ind Sesrovires  
Sant Esteve de Sesrovires / 08635 Barcelona  
Tel +34 93 771 30 51 / Fax +34 93 771 32 32