



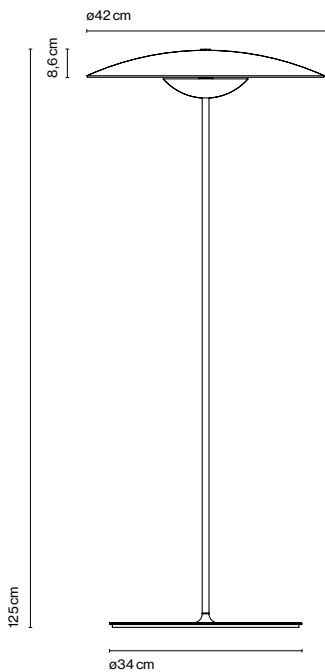
Ginger

Joan Gaspar

marset



Ginger P



Ginger P

LED SMD 15,4W 700mA
2700K 2130lm (included)

- Oak
- Wenge

Black electrical cord

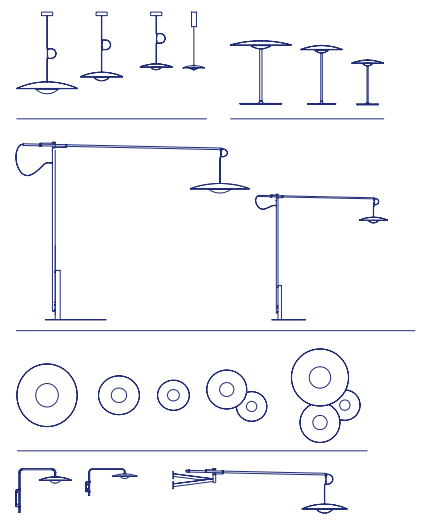
* In-line motion sensor dimmer

Diffuser and pressed wood base of 4 mm in natural oak or wenge. Injected aluminium dissipater and lacquered black matte metal stem.

dimmer *

- [Download](#) Assembly Instructions
- [Download](#) Photometric Data
- [Download](#) 2D
- [Download](#) 3D
- [Download](#) Energy label

Range



Watch the video
info@marset.com
www.marset.com

Wood is a great ally of cozy lighting. It is a material that is hard to mold, a challenge that the Ginger collection neatly resolves. The combination of sheets of wood and paper pressed together under high pressure achieves a laminate that appears almost entirely flat.

How Ginger illuminates

Ginger P

