

Products / Chairs / Manta Cantilever

# Manta cantilever

by Eugeni Quitllet

New outdoor and indoor chair collection. The versatile Manta chair adapts perfectly to any space, whether in a home, office, or public setting. This is all possible thanks to an interchangeable design made up of seats and bases to create countless combinations.

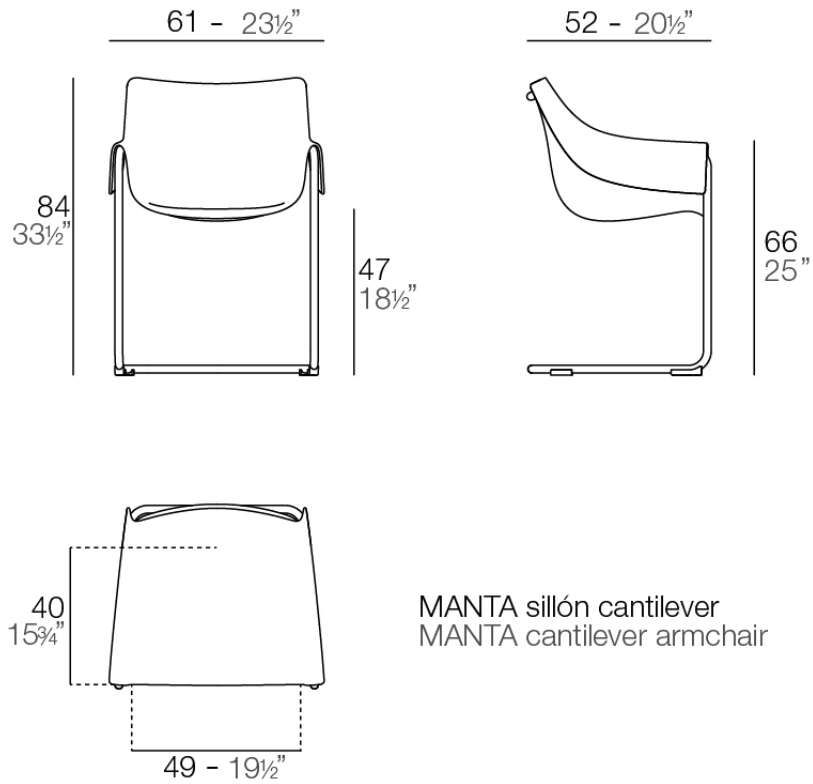


# Info

---

## Description

Weight: 5.6 Kg



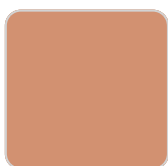
# Finishes

---

## finishes

---

BASIC PP  
Ref. 65047



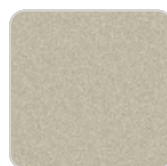
melon



white



black



ecru



tortora

Available in various colors

# Ambients

---

