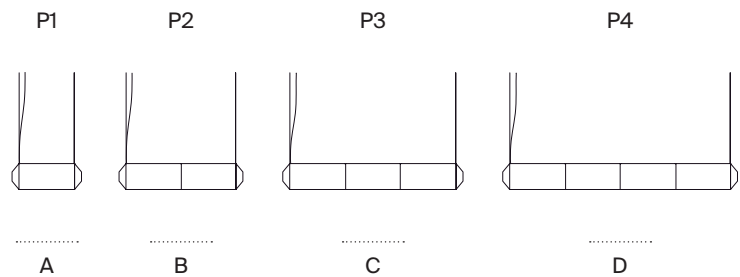


Tekiò Horizontal

Anthony Dickens. 2017
Pendant lamps



Tekiò ('adaptation' in Japanese) consists of a lighting system based on LED wstructures covered with paper modules. By combining various modules, Tekiò presents vertical pendant lamps, horizontal lines and circles.

In its design Anthony Dickens was inspired by the traditional Japanese paper lantern that is ubiquitous throughout Asia, and in its production Santa & Cole has worked with some of Japan's best craftsmen, combining traditional processes, high quality materials and new technologies.

Paper is a ductile, even malleable material; its folds makes it more resistant and time alters and improves its translucence.

General description:

White S&C metal structure with matte finish.

Washi Japanese paper shade.

2 options of white S&C metal canopy with power supply incorporated: circular or rectangular.

Suitable for dimming 1-10V. (Not included external dimmer switch 1-10V).

Warm dim control 2200K - 2700K.

Methacrylate inner diffuser.

Electric cable length: 5 m / 196.8"

Light source:

Light source included.

(A) Strip of 204 LEDs
Power system: 31 W
Luminous flux: 2.800 lm

(B) Strip of 368 LEDs
Power system: 54 W
Luminous flux: 5.050 lm

(C) Strip of 532 LEDs
Power system: 77 W
Luminous flux: 7.300 lm

(D) Strip of 696 LEDs
Power system: 100 W
Luminous flux: 9.550 lm

(A, B, C, D)
Operating voltage: 24VDC
T[°] Colour: 2.200K - 2.700K
CRI: 85
Lifetime: 50.000 h

Built-in LED
Suitable for dimming 1-10V. (Not included external dimmer switch 1-10V). Warm dim control 2200K - 2700K.

Energy efficiency class (E.E.C):
A⁺⁺... A.

Suitable only for indoor use.
Always use this light source.

Input voltage: 90 ~ 305 Vac.
(50 Hz / 60 Hz). According to destination.

Tekiò Horizontal

Anthony Dickens. 2017
Pendant lamps

Approximate weight (unpacked):

- (A) Tekiò Horizontal P1: 3 Kg / 6.6 lb
- (B) Tekiò Horizontal P2: 4,5 Kg / 9.9 lb
- (C) Tekiò Horizontal P3: 6 Kg / 13.2 lb
- (D) Tekiò Horizontal P4: 7,5 Kg / 16.5 lb

Regulations:

CE
UNE-EN 60598
UNE-EN 55015
UNE-EN 60529

Maintenance:

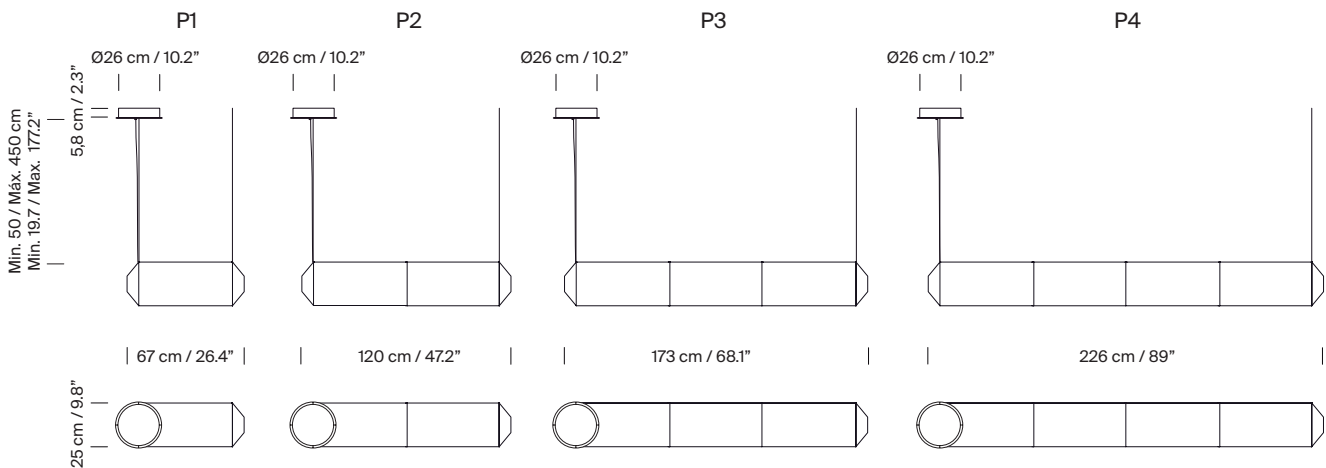
Clean with a smooth cloth. Do not use ammonia, solvents or abrasive cleaning products. Do not expose to oil vapors or fats.

Others:

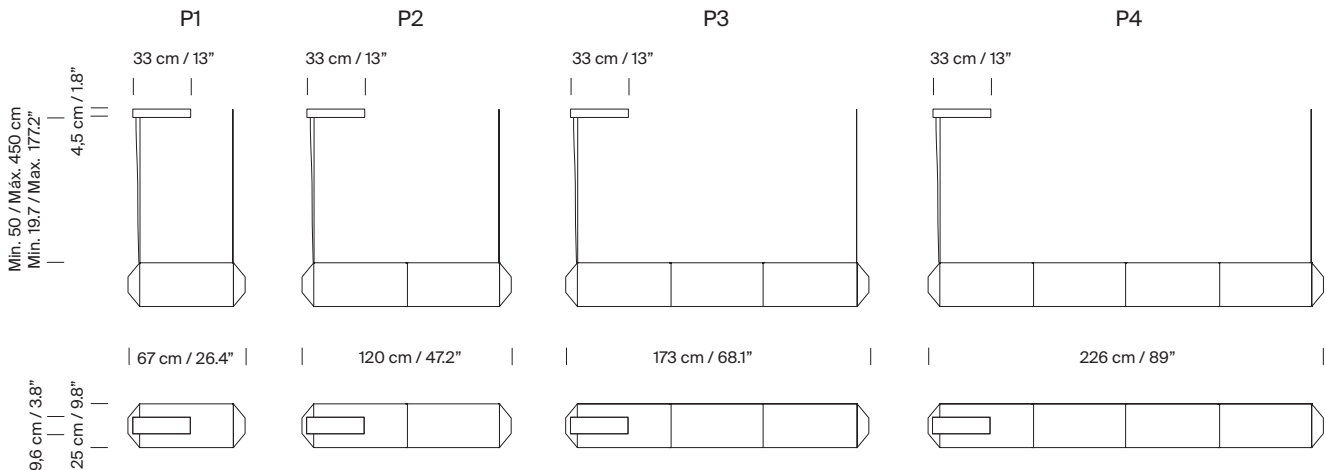
The lamp is delivered in different packages.
The assembly instructions are delivered with the product.

Models: Tekiò Horizontal

Circular canopy



Rectangular canopy



Tekiò Horizontal

Anthony Dickens. 2017
Pendant lamps

Collection: Pendant lamps



Tekiò Circular



Tekiò Vertical



Tekiò Horizontal