

systemtronic

datasheet FLAP



General description:

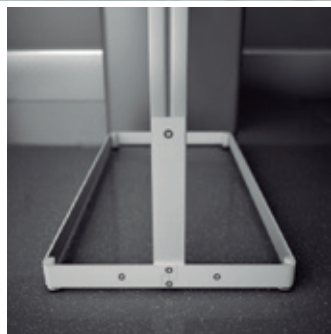
Vertical display for magazines, newspapers, catalogs, brochures...

It presents the option of wall hanged and standing with adjustable feet or wheels.

Shelves may be on one side or both.

Extruded aluminium structure anodized silver finish and steel shelves and base coated with polyester paint.

Designer: STC Studio.



Technical description:

Materials:

Column: Aluminum.
Crossbar: Aluminum.
Shelves: Steel.
Base: Steel.

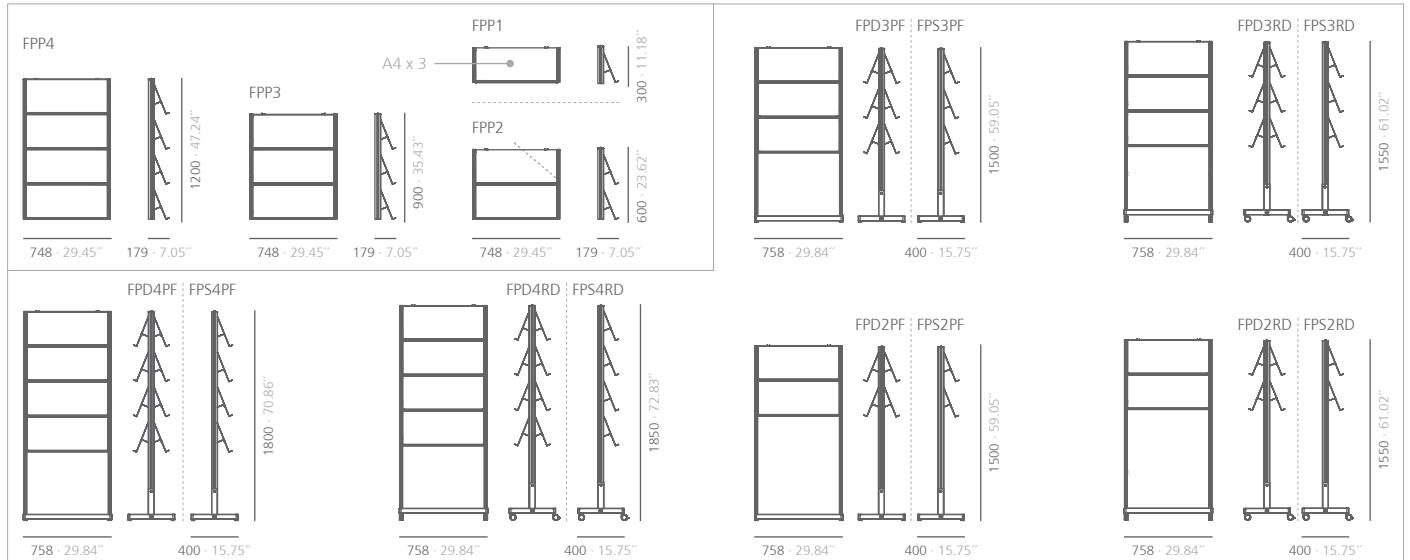
Dimensions:

FPP1: 748x179x300 mm
FPP2: 748x179x600 mm
FPP3: 748x179x900 mm
FPP4: 748x179x1200 mm

FPD3PF: 758x400x1500 mm
FPS3PF: 758x400x1500 mm
FPD3RD: 758x400x1550 mm
FPS3RD: 758x400x1550 mm

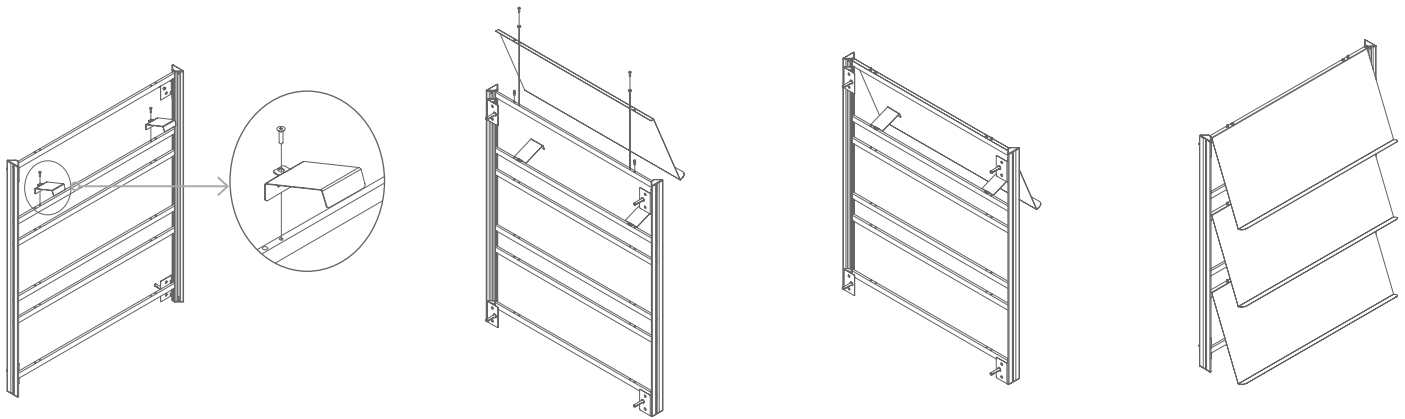
FPD2PF: 758x400x1500 mm
FPS2PF: 758x400x1500 mm
FPD2RD: 758x400x1550 mm
FPS2RD: 758x400x1550 mm

FPD3PF: 758x400x1800 mm
FPS3PF: 758x400x1800 mm
FPD3RD: 758x400x1850 mm
FPS3RD: 758x400x1850 mm

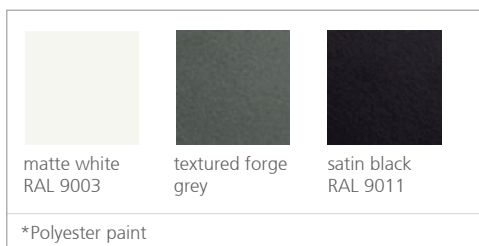


SI units: mm and inches

Assembly:



Finishes:



Consult for special dimensions or any other modification.

Maintenance:

-Polyester Paint:

For dry dirt (dust), use a damp cloth. For greasy/oily stains (fingerprints), wipe with a sponge with water and dishwashing liquid. Rinse with a damp cloth. Avoid using products containing solvents and/or pure ethyl alcohol.

-Aluminium-metal-glass-melamine-plastic:

We recommend using normal cleaning products for delicate surfaces. Alcohol, solvents and abrasive agents must be avoided.