

systemtronic

datasheet GREEN LIGHT



General description:

Following the Green Light concept, the hanging and the desktop versions extend the family.

Designer: Mermelada Estudio.



Technical description:**GREENLIGHT_C:**

·Materials:

Container: Aluminum.

Cable: Steel.

·Dimensions: 503x193x168 mm 19.8x7.6x6.61 "

GREENLIGHT_T:

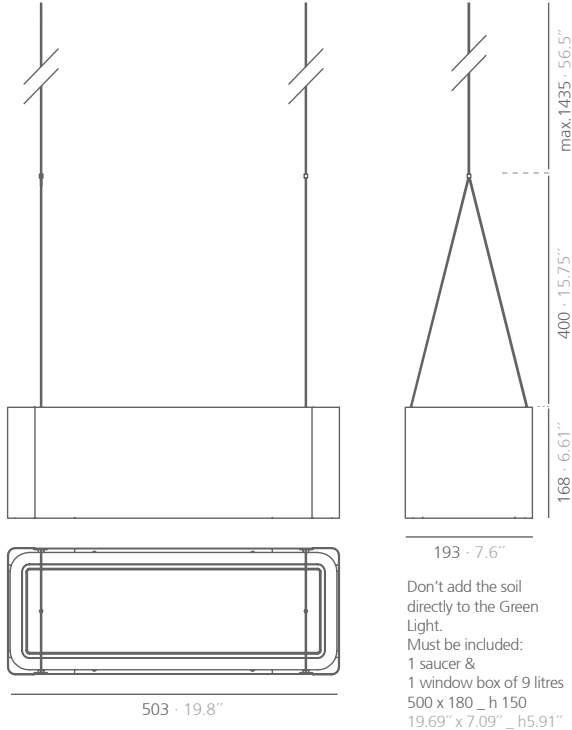
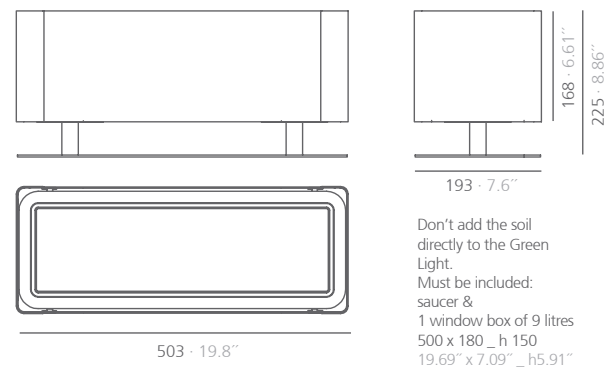
·Materiales:

Container: Aluminum.

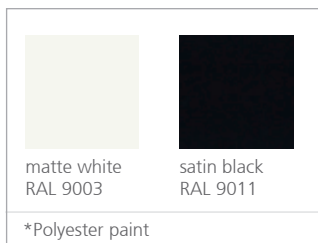
Legs: Estrudado aluminum.

Base: galvanizado steel.

·Dimensions: 503x193x225 mm 19.8x7.6x8.86 "

GREEN LIGHT_C**GREEN LIGHT_T**

SI units: mm and inches

FINISHES:

Consult for special dimensions or any other modification.

Maintenance:

-Polyester Paint:

For dry dirt (dust), use a damp cloth. For greasy/oily stains (fingerprints), wipe with a sponge with water and dishwashing liquid. Rinse with a damp cloth. Avoid using products containing solvents and/or pure ethyl alcohol.

-Aluminium-metal-glass-melamine-plastic:

We recommend using normal cleaning products for delicate surfaces. Alcohol, solvents and abrasive agents must be avoided.

systemtronic _ GreenLight

www.st-systemtronic.com

nacional@st-systemtronic.com · export@st-systemtronic.com

tel. 96-1852784 · fax.34-961854482

Assembly:

