

systemtronic

datasheet INLIN



General description:

Coat rack formed by two columns of anodized aluminium with a matt silver finish, there are two versions with wheels or adjustable feet. Its steel base and bottom rail may have a white or forged grey finish. The upper crossbar is in chrome. The inlin 758 mm width allows to adapt an adjustable wire shelves in height, and a lid to the base.

Designer: STC Studio.



systemtronic _ inlin
www.st-systemtronic.com
nacional@st-systemtronic.com · export@st-systemtronic.com
 tel. 96-1852784 · fax.34-961854482

Technical description:

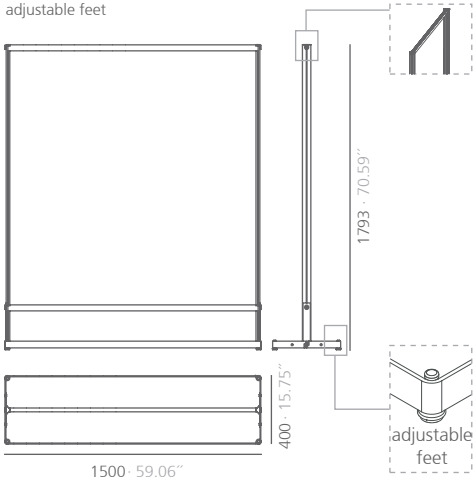
Materials:

INLEST shelf adjustable in height: Steel.
 INLBAS base cover: Steel.
 Beam with multi fixed hangers (INLD15PF and INLD15RD): Steel.
 Top crossbar: Chromed steel.
 Lower crossbar: Chromed steel.
 Base: Steel.
 Columns: Aluminum extrusion.
 Reinforcement: Steel.

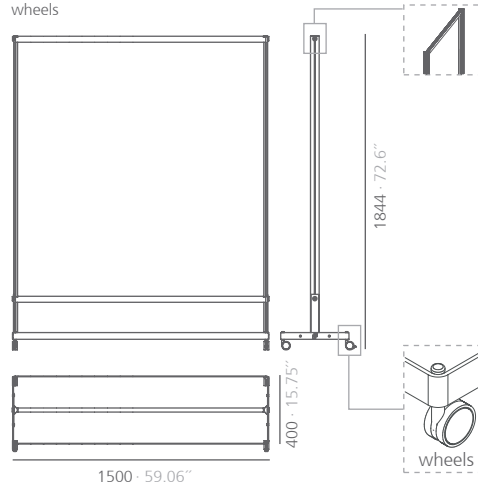
Dimensions:

INL7PF: 758x400x1793mm 29.84x15.75x70.59"
 INL15PF: 1500x400x1793mm 59.06x15.75x70.59"
 INL7RD: 758x400x1844mm 29.84x15.75x72.6"
 INL15RD: 1500x400x1844mm 59.06x15.75x72.6"

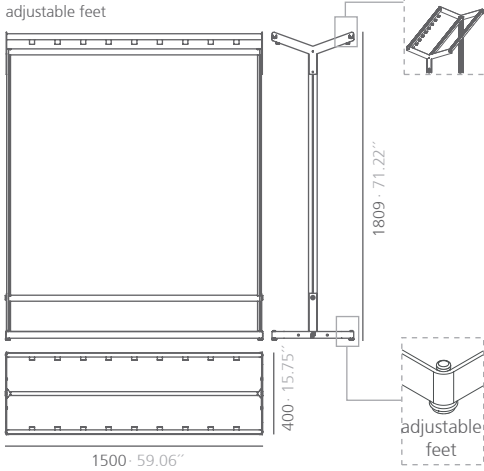
INL15PF
adjustable feet



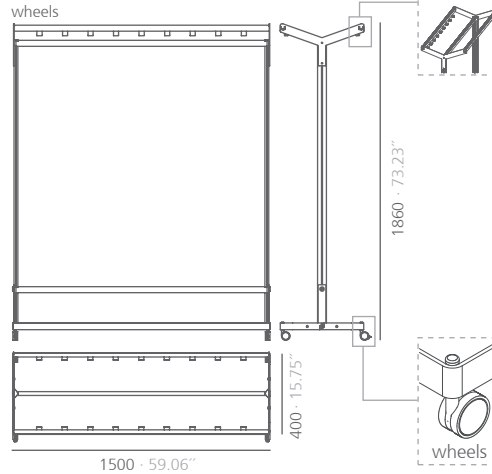
INL15RD
wheels

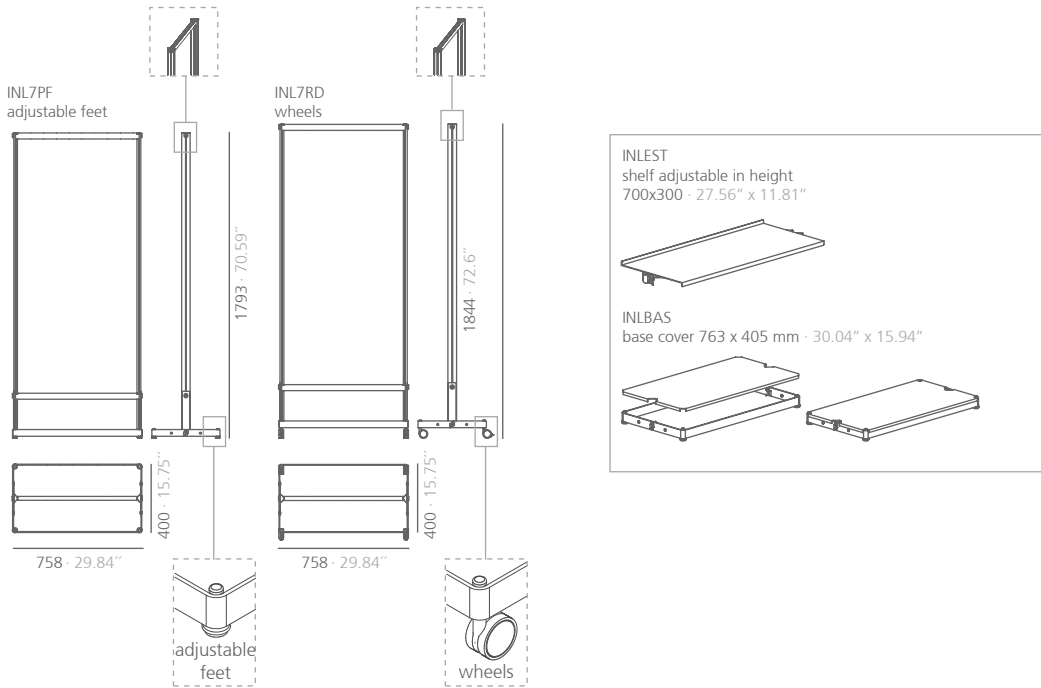


INLD15PF
adjustable feet



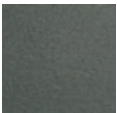
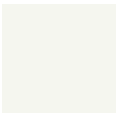
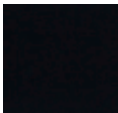


INLD15RD
wheels





SI units: mm and inches

Finishes:

Base, crossbars and shelf			Columns	Top crossbar
				
textured forge grey	matte white RAL 9003	satin black RAL 9011	anodized alum. silver matt	chromed
*Polyester paint				

Maintenance:

-Polyester Paint:

For dry dirt (dust), use a damp cloth. For greasy/oily stains (fingerprints), wipe with a sponge with water and dishwashing liquid. Rinse with a damp cloth. Avoid using products containing solvents and/or pure ethyl alcohol.

-Aluminium-metal-glass-melamine-plastic:

We recommend using normal cleaning products for delicate surfaces. Alcohol, solvents and abrasive agents must be avoided.

Assembly:

