

systemtronic

datasheet LAURA



General description:

Laura is the systemetric table more versatile and functional we have created. This little table has so many possibilities as you can imagine. We like to see it on a chill out, in a waiting room... where do you fancy it?

Designer: Mermelada Estudio

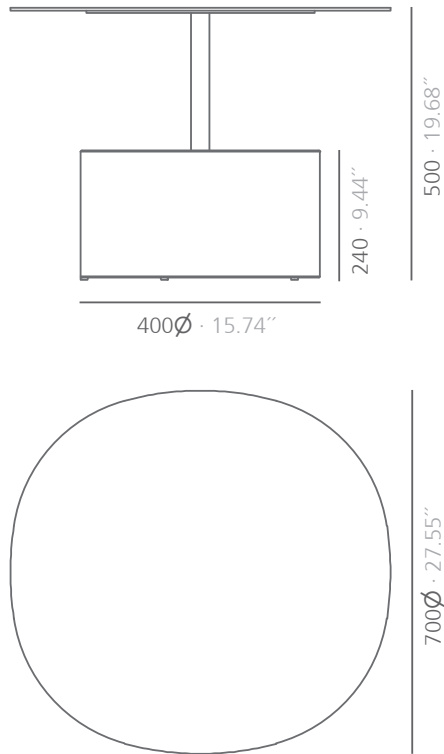


Technical description:

Material: Aluminum and Steel.

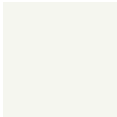

Dimensions: Ø700x500mm Ø27.55"x19.68"

LAURA



SI units: mm and inches

Finishes:

Structure	
	
matte white RAL 9003	satin black RAL 9011
*Polyester paint	

Consult for special dimensions or any other modification.

Maintenance:-Polyester Paint:

For dry dirt (dust), use a damp cloth. For greasy/oily stains (fingerprints), wipe with a sponge with water and dishwashing liquid. Rinse with a damp cloth. Avoid using products containing solvents and/or pure ethyl alcohol.

-Aluminium-metal-glass-melamine-plastic:

We recommend using normal cleaning products for delicate surfaces. Alcohol, solvents and abrasive agents must be avoided.

Assembly:

