

# systemtronic

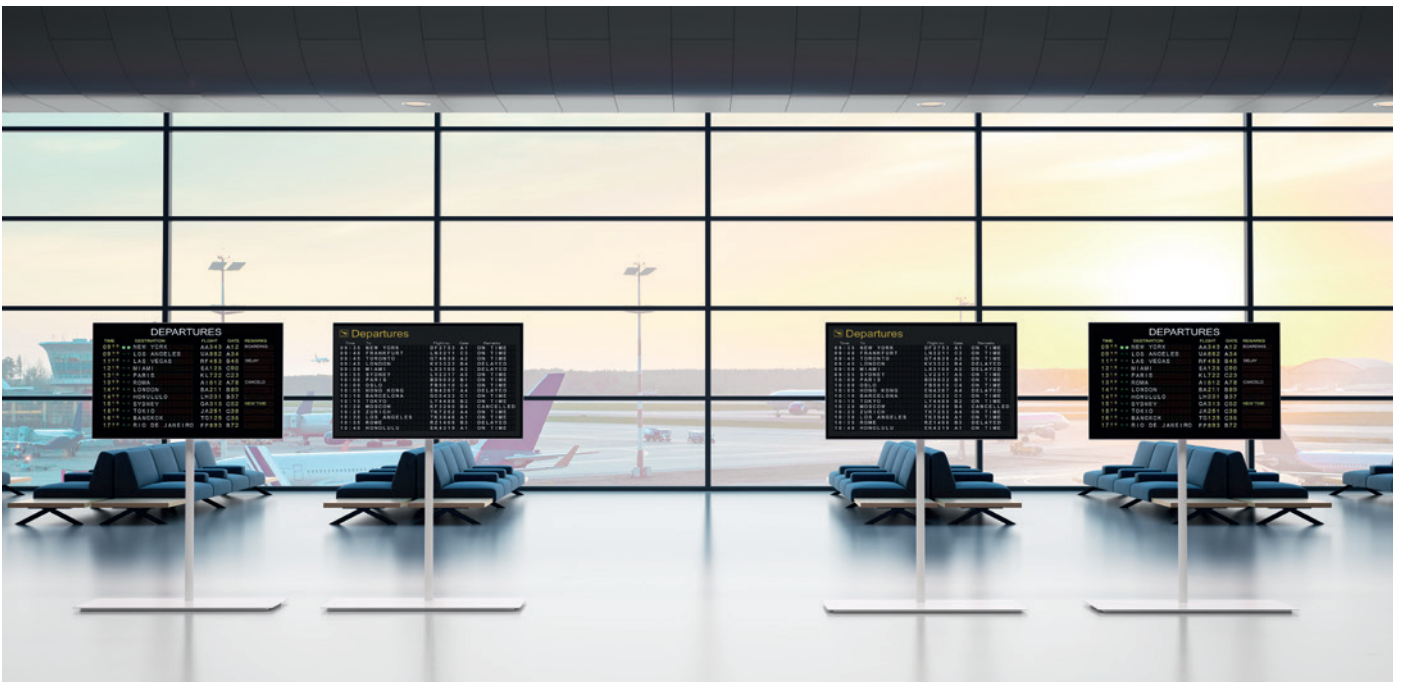
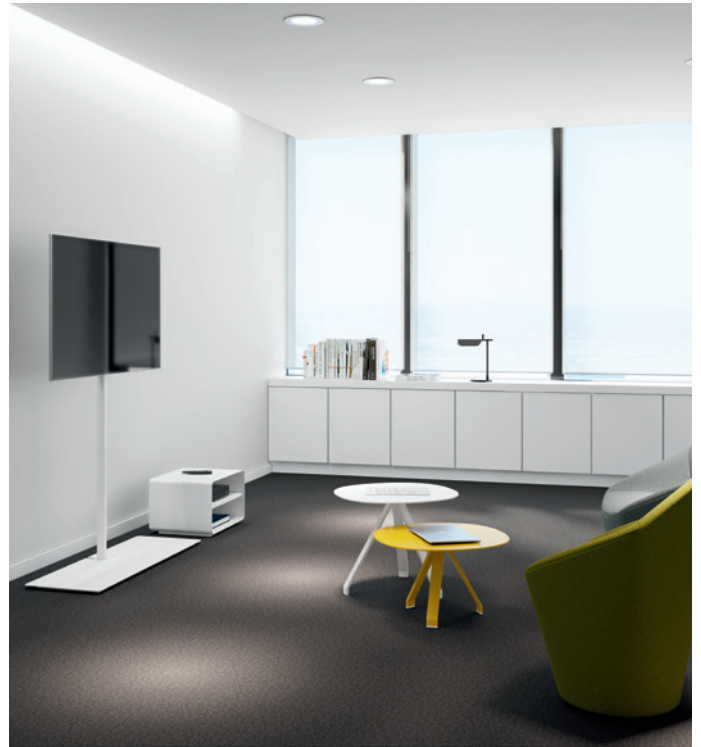
datasheet SITA



General description:

Screen in the Air, (Sita) is a support for televisions and monitors versatile and ideal both for houses, common zones or hotel rooms. It stands out for its elegant back which hides electrical connections providing an well-kept look. To include de CVD and HI-FI equipment, exist a version with a shelf, or you can attach a container module that completes the set. Mounting interface standard VESA 75, 100, 200, 300 and 400, with possibility of VESA accessory for 600 and 800. The monitor can rotate 240°. Its wheels allowed its movement. For maximum TV size 55" and maximum weight of 30 kg. Produced in steel.

Designer: STC Studio.



Technical description:

Maximum size: 55"  
Maximum weight: 30kg

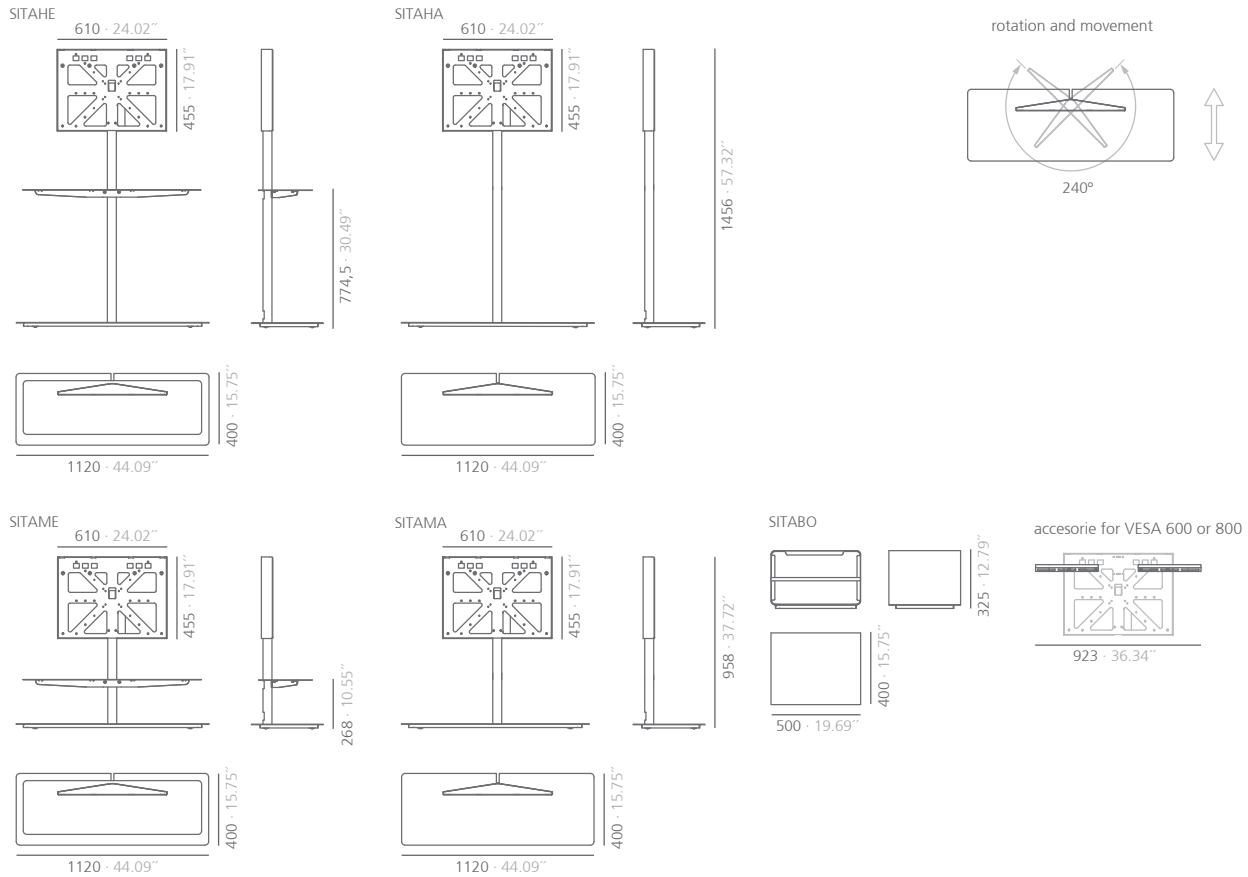
**SITAHA**  
·Materials: steel  
·Dimensions: 1120x400x1456 mm  
44.09"x15.75"x57.32"

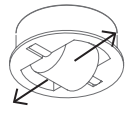
**SITAMA**  
·Materials: steel  
·Dimensions: 1120x400x958 mm  
44.09"x15.75"x37.72"

**SITAHE**  
·Materials: steel  
·Dimensions: 1120x400x1456 mm  
44.09"x15.75"x57.32"

**SITAME**  
·Materials: steel  
·Dimensions: 1120x400x958 mm  
44.09"x15.75"x37.72"


**SITABO**  
·Materials: steel  
·Dimensions: 500x400x325 mm  
19.69"x15.75"x12.79"





Its design includes 4 small wheels which facilitate forward and backward movement.

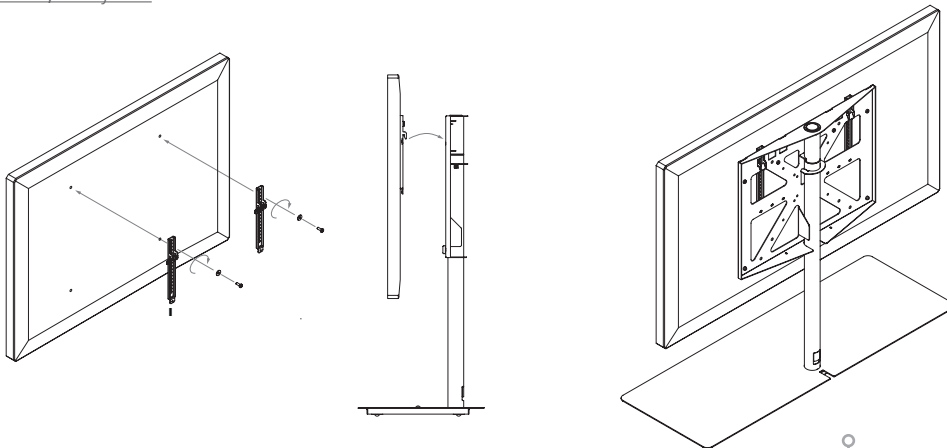
---



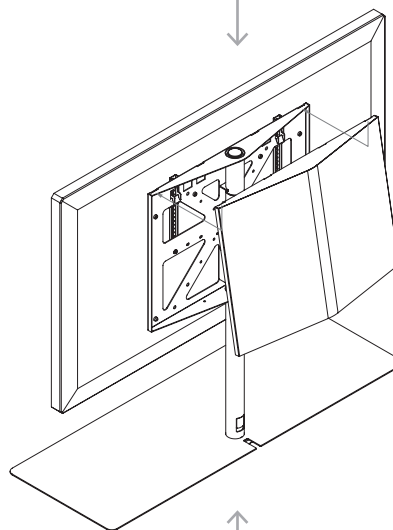
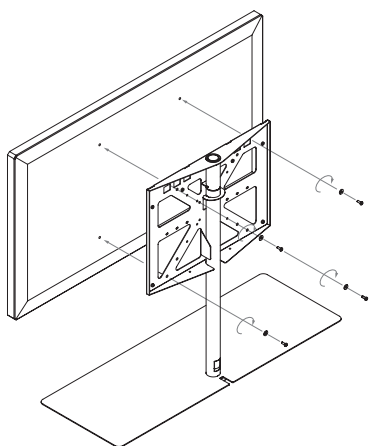
Rotary movement of the set can be obtained equipping the optional wheel kit of 35mm of diameter, which increase the overall height to 52mm.

SI units: mm and inches

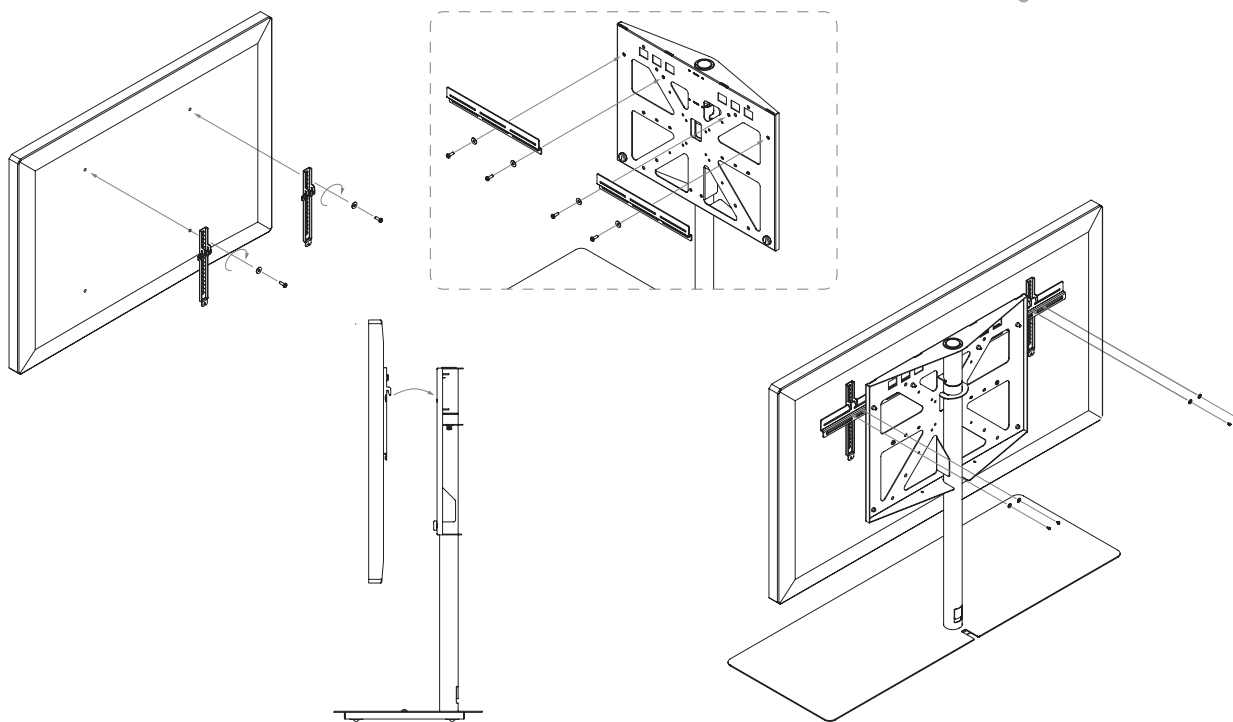
Assembly for VESA 200, 300 y 400



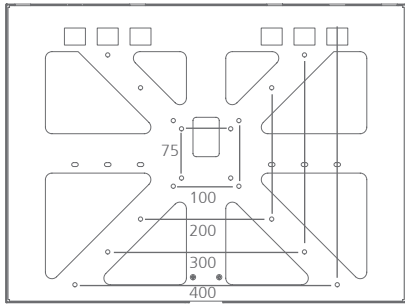
Assembly for VESA 75 y 100



Assembly for VESA 600 y 800

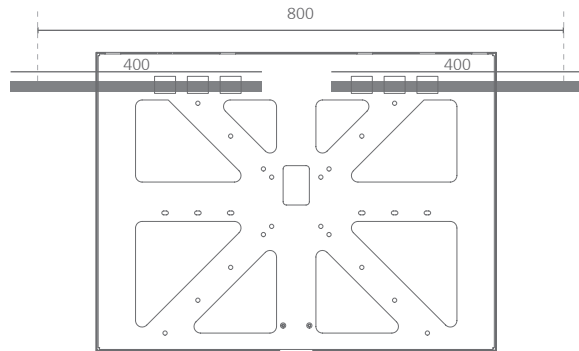
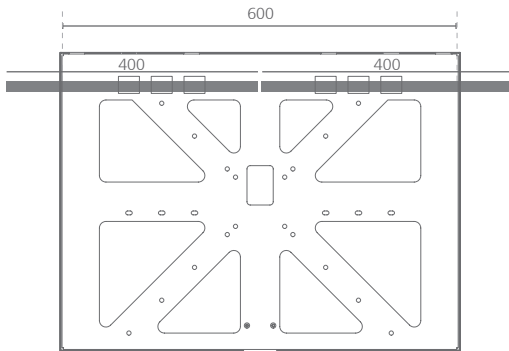


VESA distacnces permitted without adapters.


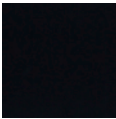


- 75x75
- 100x100
- 200x200
- 300x300
- 400x400

ADAPTERS: Optional adapters allow to hold the VESA 600 and 800



Finishes:

	
matte white RAL 9003	satin black RAL 9011
*Polyester paint	

Consult for special dimensions or any other modification.

Maintenance:

-Polyester Paint:

For dry dirt (dust), use a damp cloth. For greasy/oily stains (fingerprints), wipe with a sponge with water and dishwashing liquid. Rinse with a damp cloth. Avoid using products containing solvents and/or pure ethyl alcohol.

-Aluminium-metal-glass-melamine-plastic:

We recommend using normal cleaning products for delicate surfaces. Alcohol, solvents and abrasive agents must be avoided.