

WING CHAIR

By A-cero



The WING collection by A-cero for VONDOM, was born by weaving together straight and curved lines in a dynamic way. These extremes curves and angles, which are a typical trait in architectures latest advances have now reached out to furniture design, going for a free, delicate and organic line, that generates movement and separates itself from of any former trace of over-rigidity. These are bold pieces that make up a set of furniture with a huge visual impact and a impressive sculptural and dynamic significance.

View online: <https://www.vondom.com/products/53034>

Features

Description

Made of polyethylene resin by rotational moulding. 100% Recyclable. Item suitable for indoor and outdoor use. Available in different finishes.

Weight

9 Kg

Includes

ACOLCHADO CREVIN Indoor/outdoor Natural look fabric. Easy to clean. Optional

ACOLCHADO NAUTIC Indoor/outdoor Vinyl fabric By default

ACOLCHADO SILVERTEX Indoor/outdoor Vinyl fabric liner Optional

Finishes

BASIC

Ref. 53034

Matt Polyethylene

LACQUERED

Ref. 53034F

Lacquered Polyethylene

LIGHT

Ref. 53034W

White internally lit unit with LED technology. Available only in matte ice white finish.

RGBW LED

Ref. 53034L

Unit with internal lighting with RGBW LED technology and remote control unit for switching colors. Available only in matte ice white finish. Remote control included.

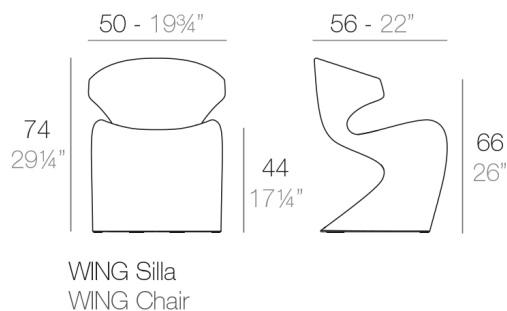
RGBW LED DMX

Ref. 53034D

Unit with internal lighting with RGBW LED technology and remote control unit for switching colors. Also controlLED by DMX-1024 (wireless), enabling communication between one or more products simultaneously via the DMX transmitter (not included).

RGBW LED BATTERY

Ref. 53034DY



Unit with internal lighting with battery-powered RGBW LED technology. Includes charger and remote control for switching colors and charger. Available only in matte ice white finish.

COLOR	BASIC	LACQUERED / LACADO	LUZ
ICE	<input checked="" type="checkbox"/>	<input type="checkbox"/>	<input type="checkbox"/>
WHITE	<input type="checkbox"/>	<input type="checkbox"/>	<input type="checkbox"/>
BLACK	<input type="checkbox"/>	<input type="checkbox"/>	<input type="checkbox"/>
BRONZE	<input type="checkbox"/>	<input type="checkbox"/>	<input type="checkbox"/>
STEEL	<input type="checkbox"/>	<input type="checkbox"/>	<input type="checkbox"/>
ANTHRACITE	<input type="checkbox"/>	<input type="checkbox"/>	<input type="checkbox"/>
RED	<input type="checkbox"/>	<input type="checkbox"/>	<input type="checkbox"/>
PISTACHIO	<input type="checkbox"/>	<input type="checkbox"/>	<input type="checkbox"/>
ORANGE	<input type="checkbox"/>	<input type="checkbox"/>	<input type="checkbox"/>
KHAKI	<input type="checkbox"/>	<input type="checkbox"/>	<input type="checkbox"/>
NAVY	<input type="checkbox"/>	<input type="checkbox"/>	<input type="checkbox"/>
PLUM	<input type="checkbox"/>	<input type="checkbox"/>	<input type="checkbox"/>
TAUPE	<input type="checkbox"/>	<input type="checkbox"/>	<input type="checkbox"/>
ECRU	<input type="checkbox"/>	<input type="checkbox"/>	<input type="checkbox"/>
BEIGE	<input type="checkbox"/>	<input type="checkbox"/>	<input type="checkbox"/>
CHAMPAGNE	<input type="checkbox"/>	<input type="checkbox"/>	<input type="checkbox"/>
WHITE	<input type="checkbox"/>	<input type="checkbox"/>	<input type="checkbox"/>
BLACK	<input type="checkbox"/>	<input type="checkbox"/>	<input type="checkbox"/>
BRONZE	<input type="checkbox"/>	<input type="checkbox"/>	<input type="checkbox"/>
STEEL	<input type="checkbox"/>	<input type="checkbox"/>	<input type="checkbox"/>
RED	<input type="checkbox"/>	<input type="checkbox"/>	<input type="checkbox"/>
PISTACHIO	<input type="checkbox"/>	<input type="checkbox"/>	<input type="checkbox"/>
ORANGE	<input type="checkbox"/>	<input type="checkbox"/>	<input type="checkbox"/>
NAVY	<input type="checkbox"/>	<input type="checkbox"/>	<input type="checkbox"/>
PLUM	<input type="checkbox"/>	<input type="checkbox"/>	<input type="checkbox"/>
ECRU	<input type="checkbox"/>	<input type="checkbox"/>	<input type="checkbox"/>
BEIGE	<input type="checkbox"/>	<input type="checkbox"/>	<input type="checkbox"/>
ICE SILVER-4004	<input type="checkbox"/>	<input type="checkbox"/>	<input type="checkbox"/>
SISAL SILVER-1051	<input type="checkbox"/>	<input type="checkbox"/>	<input type="checkbox"/>
TAUPE SILVER-0009	<input type="checkbox"/>	<input type="checkbox"/>	<input type="checkbox"/>
MOCCA SILVER-0005	<input type="checkbox"/>	<input type="checkbox"/>	<input type="checkbox"/>
SAGE SILVER-5009	<input type="checkbox"/>	<input type="checkbox"/>	<input type="checkbox"/>
PLATA SILVER-4001	<input type="checkbox"/>	<input type="checkbox"/>	<input type="checkbox"/>
RASPB. SILVER-2016	<input type="checkbox"/>	<input type="checkbox"/>	<input type="checkbox"/>
JET SILVER-3068	<input type="checkbox"/>	<input type="checkbox"/>	<input type="checkbox"/>
BEIGE SILVER-1010	<input type="checkbox"/>	<input type="checkbox"/>	<input type="checkbox"/>
PIST. SILVER-5008	<input type="checkbox"/>	<input type="checkbox"/>	<input type="checkbox"/>
METEOR SILVER-4024	<input type="checkbox"/>	<input type="checkbox"/>	<input type="checkbox"/>
VITA-IMP 07	<input type="checkbox"/>	<input type="checkbox"/>	<input type="checkbox"/>
VITA-IMP 14	<input type="checkbox"/>	<input type="checkbox"/>	<input type="checkbox"/>
VITA-IMP 51	<input type="checkbox"/>	<input type="checkbox"/>	<input type="checkbox"/>
VITA-IMP 54	<input type="checkbox"/>	<input type="checkbox"/>	<input type="checkbox"/>
VITA-IMP 42	<input type="checkbox"/>	<input type="checkbox"/>	<input type="checkbox"/>
VITA-IMP 30	<input type="checkbox"/>	<input type="checkbox"/>	<input type="checkbox"/>
VITA-IMP 53	<input type="checkbox"/>	<input type="checkbox"/>	<input type="checkbox"/>
VITA-IMP 55	<input type="checkbox"/>	<input type="checkbox"/>	<input type="checkbox"/>

